

Adjustable Hand Levers

Stainless Steel, DGVU-certified, Hygienic Design



NV 20025

SPECIFICATION

Handle

Stainless steel
precision casting AISI 316
Polished finish (Ra < 0.8 μm) **PL**

Version: Threaded bushing
Stainless steel AISI 304

Version: Threaded stud
Stainless steel AISI 304

Sealing ring / Wiper

- H-NBR **H**
Temperature resistant -25 °C to + 150 °C
- EPDM **E**
Temperature resistant -40 °C to + 120 °C
- Blue
- Hardness 85±5 Shore A
- FDA compliant



INFORMATION

Adjustable hand levers GN 305 with solid stainless steel handle comply with the DGVU testing principles, making them suitable for use in hygienic areas.

The sealed mounting surface enables fastening without dead spaces. The high quality finish as well as the impervious exterior surfaces prevent adherence of dirt and facilitate cleaning.

Adjustable hand levers are ideal whenever parts have to be clamped in a confined space or in a particular lever position.

The threaded insert is moveably attached to the handle with serrations. When pulling the handle, the serration frees itself and can be re-located into any required position. Engagement is achieved by releasing the lever.

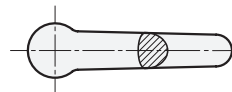
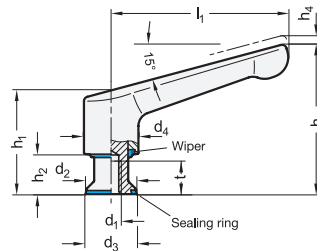
- Operating instruction GN 305

ACCESSORY

- Sealing Rings GN 7600 (see page)

TECHNICAL INFORMATION

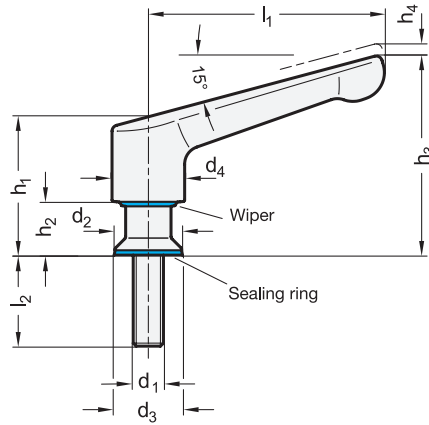
- Plastic Characteristics (see page A32)
- Stainless Steel Characteristics (see page A26)



GN 305-Threaded bushing

STAINLESS STEEL

Description	l ₁	d ₁	d ₂	d ₃	d ₄	h ₁	h ₂	h ₃	h ₄ Stroke	t min.	Δ
GN 305-63-M6-PL-H	63	M 6	14	14.8	19	43.8	16.3	60.1	2.5	10	104
GN 305-63-M8-PL-H	63	M 8	18	18.8	19	45.8	18.3	62.1	2.5	12	108
GN 305-78-M8-PL-H	78	M 8	18	18.8	24	49.3	16.5	69.3	3	12	194
GN 305-78-M10-PL-H	78	M 10	22	22.8	24	51.3	18.5	71.3	3	15	189
GN 305-63-M6-PL-E	63	M 6	14	14.8	19	43.8	16.3	60.1	2.5	10	105
GN 305-63-M8-PL-E	63	M 8	18	18.8	19	45.8	18.3	62.1	2.5	12	107
GN 305-78-M8-PL-E	78	M 8	18	18.8	24	49.3	16.5	69.3	3	12	189
GN 305-78-M10-PL-E	78	M 10	22	22.8	24	51.3	18.5	71.3	3	15	191



GN 305-Threaded Stud

STAINLESS STEEL

Description	l_1	d_1	l_2	d_2	d_3	d_4	h_1	h_2	h_3	h_4 Stroke	
GN 305-63-M6-12-PL-H	63	M 6	12	14	14.8	19	43.8	16.3	60.1	2.5	106
GN 305-63-M6-16-PL-H	63	M 6	16	14	14.8	19	43.8	16.3	60.1	2.5	107
GN 305-63-M6-20-PL-H	63	M 6	20	14	14.8	19	43.8	16.3	60.1	2.5	108
GN 305-63-M6-25-PL-H	63	M 6	25	14	14.8	19	43.8	16.3	60.1	2.5	110
GN 305-63-M6-32-PL-H	63	M 6	32	14	14.8	19	43.8	16.3	60.1	2.5	113
GN 305-63-M8-12-PL-H	63	M 8	12	18	18.8	19	45.8	18.3	62.1	2.5	113
GN 305-63-M8-16-PL-H	63	M 8	16	18	18.8	19	45.8	18.3	62.1	2.5	112
GN 305-63-M8-20-PL-H	63	M 8	20	18	18.8	19	45.8	18.3	62.1	2.5	115
GN 305-63-M8-25-PL-H	63	M 8	25	18	18.8	19	45.8	18.3	62.1	2.5	118
GN 305-63-M8-32-PL-H	63	M 8	32	18	18.8	19	45.8	18.3	62.1	2.5	120
GN 305-78-M8-12-PL-H	78	M 8	12	18	18.8	24	49.3	16.5	69.3	3	193
GN 305-78-M8-16-PL-H	78	M 8	16	18	18.8	24	49.3	16.5	69.3	3	199
GN 305-78-M8-20-PL-H	78	M 8	20	18	18.8	24	49.3	16.5	69.3	3	198
GN 305-78-M8-25-PL-H	78	M 8	25	18	18.8	24	49.3	16.5	69.3	3	205
GN 305-78-M8-32-PL-H	78	M 8	32	18	18.8	24	49.3	16.5	69.3	3	202
GN 305-78-M10-16-PL-H	78	M 10	16	22	22.8	24	51.3	18.5	71.3	3	198
GN 305-78-M10-20-PL-H	78	M 10	20	22	22.8	24	51.3	18.5	71.3	3	203
GN 305-78-M10-25-PL-H	78	M 10	25	22	22.8	24	51.3	18.5	71.3	3	205
GN 305-78-M10-32-PL-H	78	M 10	32	22	22.8	24	51.3	18.5	71.3	3	207
GN 305-63-M6-12-PL-E	63	M 6	12	14	14.8	19	43.8	16.3	60.1	2.5	110
GN 305-63-M6-16-PL-E	63	M 6	16	14	14.8	19	43.8	16.3	60.1	2.5	110
GN 305-63-M6-20-PL-E	63	M 6	20	14	14.8	19	43.8	16.3	60.1	2.5	110
GN 305-63-M6-25-PL-E	63	M 6	25	14	14.8	19	43.8	16.3	60.1	2.5	110
GN 305-63-M6-32-PL-E	63	M 6	32	14	14.8	19	43.8	16.3	60.1	2.5	110
GN 305-63-M8-12-PL-E	63	M 8	12	18	18.8	19	45.8	18.3	62.1	2.5	118
GN 305-63-M8-16-PL-E	63	M 8	16	18	18.8	19	45.8	18.3	62.1	2.5	118
GN 305-63-M8-20-PL-E	63	M 8	20	18	18.8	19	45.8	18.3	62.1	2.5	118
GN 305-63-M8-25-PL-E	63	M 8	25	18	18.8	19	45.8	18.3	62.1	2.5	118
GN 305-63-M8-32-PL-E	63	M 8	32	18	18.8	19	45.8	18.3	62.1	2.5	120
GN 305-78-M8-12-PL-E	78	M 8	12	18	18.8	24	49.3	16.5	69.3	3	199
GN 305-78-M8-16-PL-E	78	M 8	16	18	18.8	24	49.3	16.5	69.3	3	199
GN 305-78-M8-20-PL-E	78	M 8	20	18	18.8	24	49.3	16.5	69.3	3	199
GN 305-78-M8-25-PL-E	78	M 8	25	18	18.8	24	49.3	16.5	69.3	3	199
GN 305-78-M8-32-PL-E	78	M 8	32	18	18.8	24	49.3	16.5	69.3	3	199
GN 305-78-M10-16-PL-E	78	M 10	16	22	22.8	24	51.3	18.5	71.3	3	212
GN 305-78-M10-20-PL-E	78	M 10	20	22	22.8	24	51.3	18.5	71.3	3	101
GN 305-78-M10-25-PL-E	78	M 10	25	22	22.8	24	51.3	18.5	71.3	3	212
GN 305-78-M10-32-PL-E	78	M 10	32	22	22.8	24	51.3	18.5	71.3	3	212



3
Clamping levers